

Coffee System
Doser Coffee Grinder, Flat 75 mm

ITEM # _____

MODEL # _____

NAME # _____

SIS # _____

AIA # _____



602544 (GRND700)

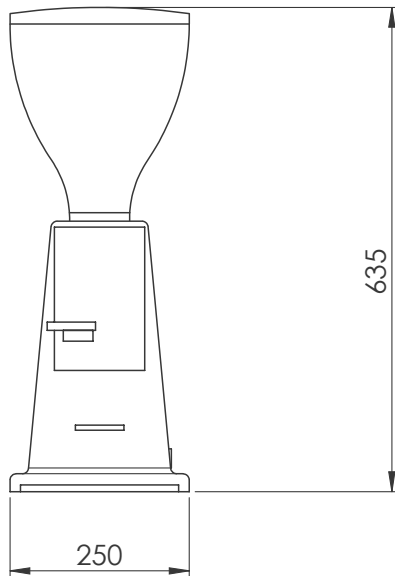
Doser Coffee Grinder, flat,
75mm

Main Features

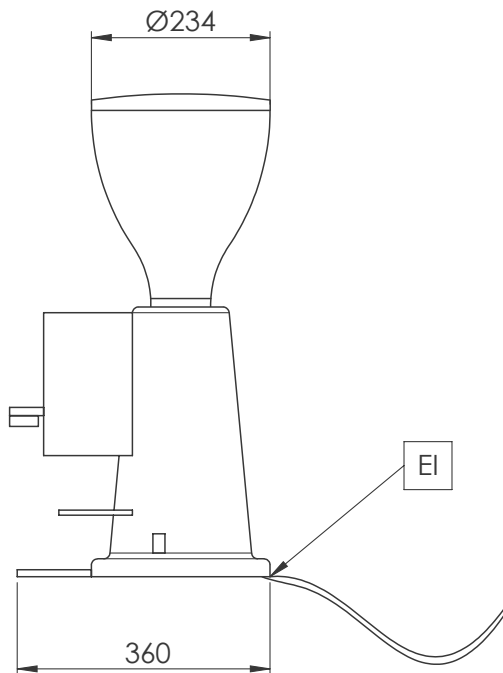
- Automatic fill-in doser.
- Practical to use thanks to the automatic refill feature of the doser compartment, distributing a volumetrically controlled, consistent portion every time.

APPROVAL: _____

Front



Side



Electric

Supply voltage:

602544 (GRND700) 230 V/1N ph/50/60 Hz

Electrical power max.:

0.8 kW

Plug type:

CE-SCHUKO

Key Information:

External dimensions, Width: 250 mm

External dimensions, Depth: 360 mm

External dimensions, Height: 635 mm

Net weight: 15.5 kg

Shipping weight: 18 kg

Shipping height: 880 mm

Shipping width: 440 mm

Shipping depth: 510 mm

Shipping volume: 0.2 m³